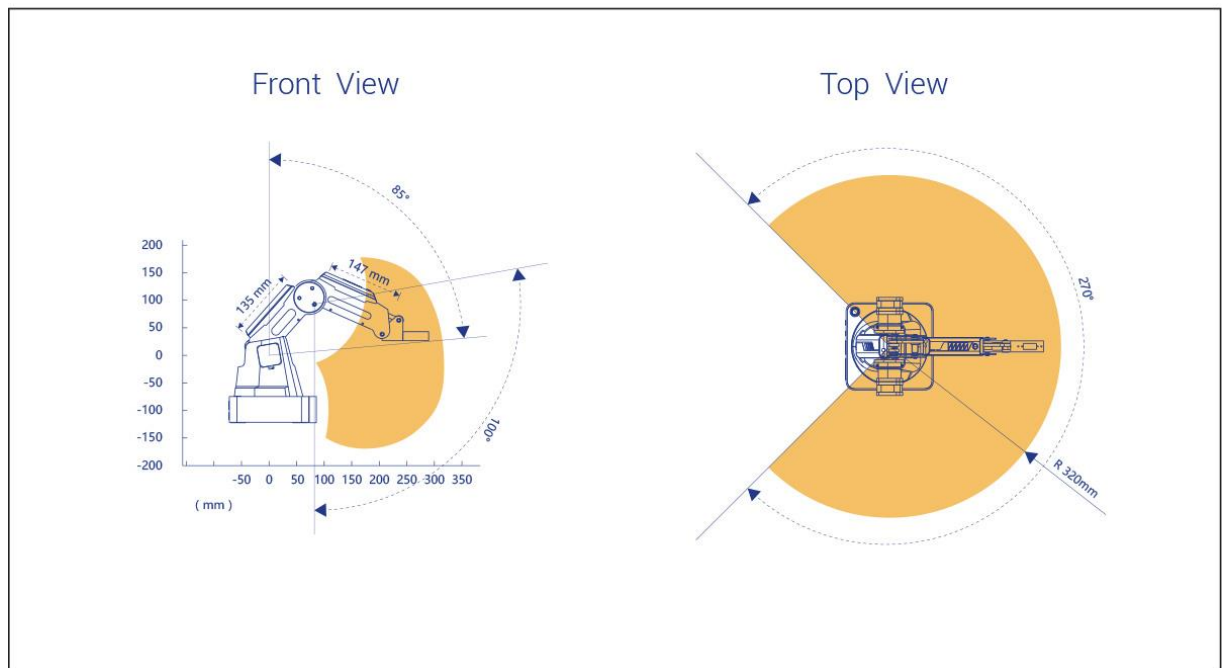


Dobot Magician Specifications

Specifications		
Number of Axes	4	
Payload	500 g	
Max. Reach	320 mm	
Position Repeatability(Control)	0.2 mm	
Communication	USB/ WIFI */ Bluetooth	
Power Supply	100V-240 V, 50/60 Hz	
Power In	12V / 7A DC	
Consumption	60W Max	
Working Temperature	-10 °C-60 °C	
Axis Movement		
Axis	Range	Max Speed (250g workload)
Joint 1 base	-135 °to +135 °	320 °/s
Joint 2 rear arm	0 °to +85 °	320 °/s
Joint 3 forearm	-10 °to +95 °	320 °/s
Joint 4 rotation servo	+90 °to -90 °	480 °/s
Physical		
Net Weight (Arm and Controller)	3.4kg	
Gross weight (Standard Version)	7.2kg	
Gross weight (Education Version)	8.0kg	
Base Dimension (Footprint)	158 mm * 158 mm	
Materials	Aluminum Alloy 6061, ABS Engineering Plastic	
Controller	Dobot Integrated Controller	
Robot Mounting	Desktop	
Packing Size (L*W*H)	307mm * 224mm * 330mm	
Carton Size for Standard Version (L*W*H)	340mm * 300mm * 400mm	
Carton Size for Education Version (L*W*H)	345mm * 290mm * 485mm	
Applications		
Software	DobotStudio, Repetier Host, GrblController3.6, DobotBlockly (Visual Programming editor)	
SDK (Software Develop Kit)	Communication Protocol, Dobot Program Library	
	1. I/O*10 (Configurable as Analog Input or PWM	

Extensible I/O Interfaces	Output)	
	2. Controllable 12V Power output*4	
	3. Communication Interface (UART, Reset, Stop, 12V, 5V and two I/O included)	
	4. Stepper * 2	
Endeffectors		
3D Printer Kit	Maximum Print Size (L *W *H)	150 mm *150 mm * 150mm (MAX)
	Material	PLA
	Resolution	0.1 mm
Laser*	Power Consumption	500 mw
	Type	405 nm (Blue laser)
	Power	12V
Pen Holder	Pen Diameter	10 mm
Vacuum Suction Cap	Cap Diameter	20 mm
	Pressure	-35 Kpa
Gripper	Range	27.5 mm
	Drive Type	Pneumatic
	Force	8 N



Note: Above information is for reference only and subject to change without prior notice. Items marked with * are optional kits, not included in default package.